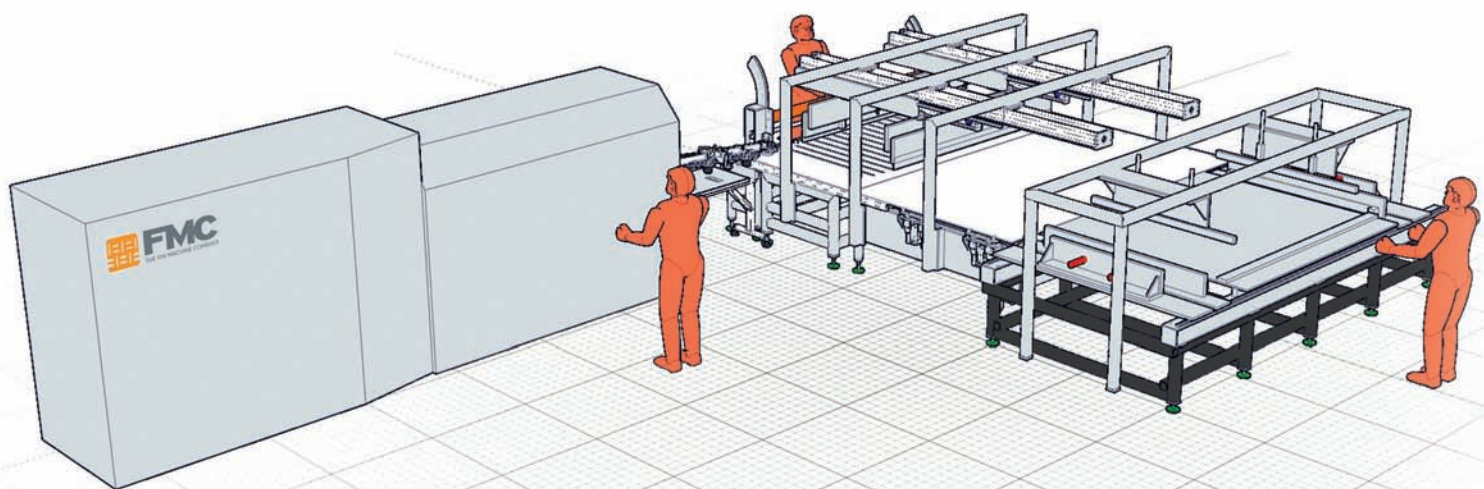
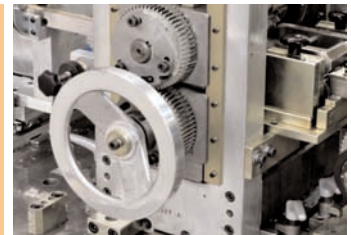


Microchannel Heat Exchangers



Are you there? **We are.**



The Fin Machine Company >> global leader for assembly microchannel equipment dedicated to the the automotive & HVAC industry.

Located in the North East of England The Fin Machine Company have invested in the development of machines to meet the extensive demands of the Heat Exchanger Industry. This has resulted in a world class range of machines which offer the benefits and features required, all at a competitive price.

Our dedicated design team are constantly reviewing our product range and developing the systems to meet the demands of the future. These features are available today.

The air conditioning industry faces a constant challenge to provide higher efficiency levels and to maintain equipment size and limit potential cost impact.

The Microchannel technology that Fin Machine has developed for heat exchangers offers many benefits to manufacturers. The technology has been widely used in the automotive industry for over 15 years with considerable success. Microchannel condenser coils are constructed utilizing an all aluminium brazed fin construction. The Fin Machine Company today is supplying microchannel production lines to HVAC customers in Asia, Europe and USA.

We have the answers to all your questions.

Contact us for further information
+(44) 0191 521 8181

Email sales@fin-machine.co.uk
Web www.fin-machine.co.uk

The Fin Machine Company Ltd.
Unit A, Hall Dene Way, Seaham, Co. Durham, SR7 0PU, United Kingdom.

CONDITIONING THE FUTURE